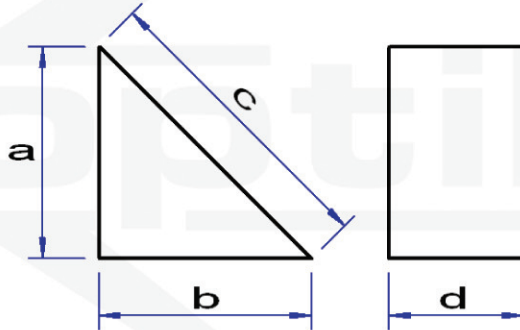


specification form



90° prism



Please fill in your specification:

Your reference no. or name			
Quantity		Material	

	measure	tolerances	additionally coating options
a			<input type="checkbox"/> Aluminum regular R ~ 84% <input type="checkbox"/> Aluminum enhanced R ~ 94% <input type="checkbox"/> AR-coating MLC for VIS <input type="checkbox"/> customized coating - spec:
b			<input type="checkbox"/> Aluminum regular R ~ 84% <input type="checkbox"/> Aluminum enhanced R ~ 94% <input type="checkbox"/> AR-coating MLC for VIS <input type="checkbox"/> customized coating - spec:
c			<input type="checkbox"/> Aluminum, regular R ~ 84% <input type="checkbox"/> Aluminum, enhanced R ~ 94% <input type="checkbox"/> AR-coating MLC for VIS <input type="checkbox"/> customized coating - spec:
d			

beam path:

